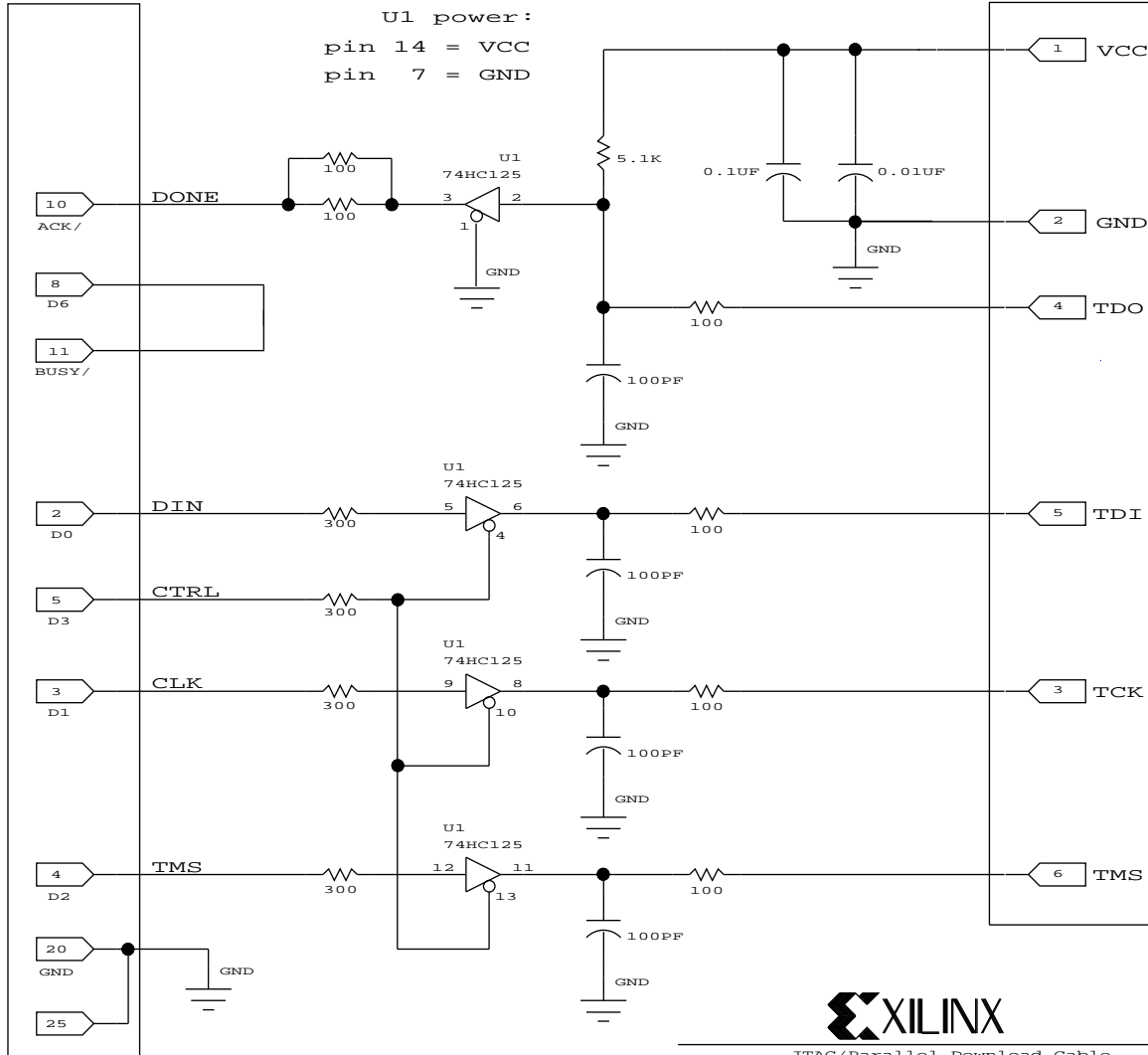


U1 power:
pin 14 = VCC
pin 7 = GND



JTAG/Parallel Download Cable

Comments: 0380507_TOS

Date: July 10, 1996

Modified: May 27, 2003 : RC