

CZUBA-TECH
28, rue des Sorbiers 60290 Laigneville

Title: **CT60_3**

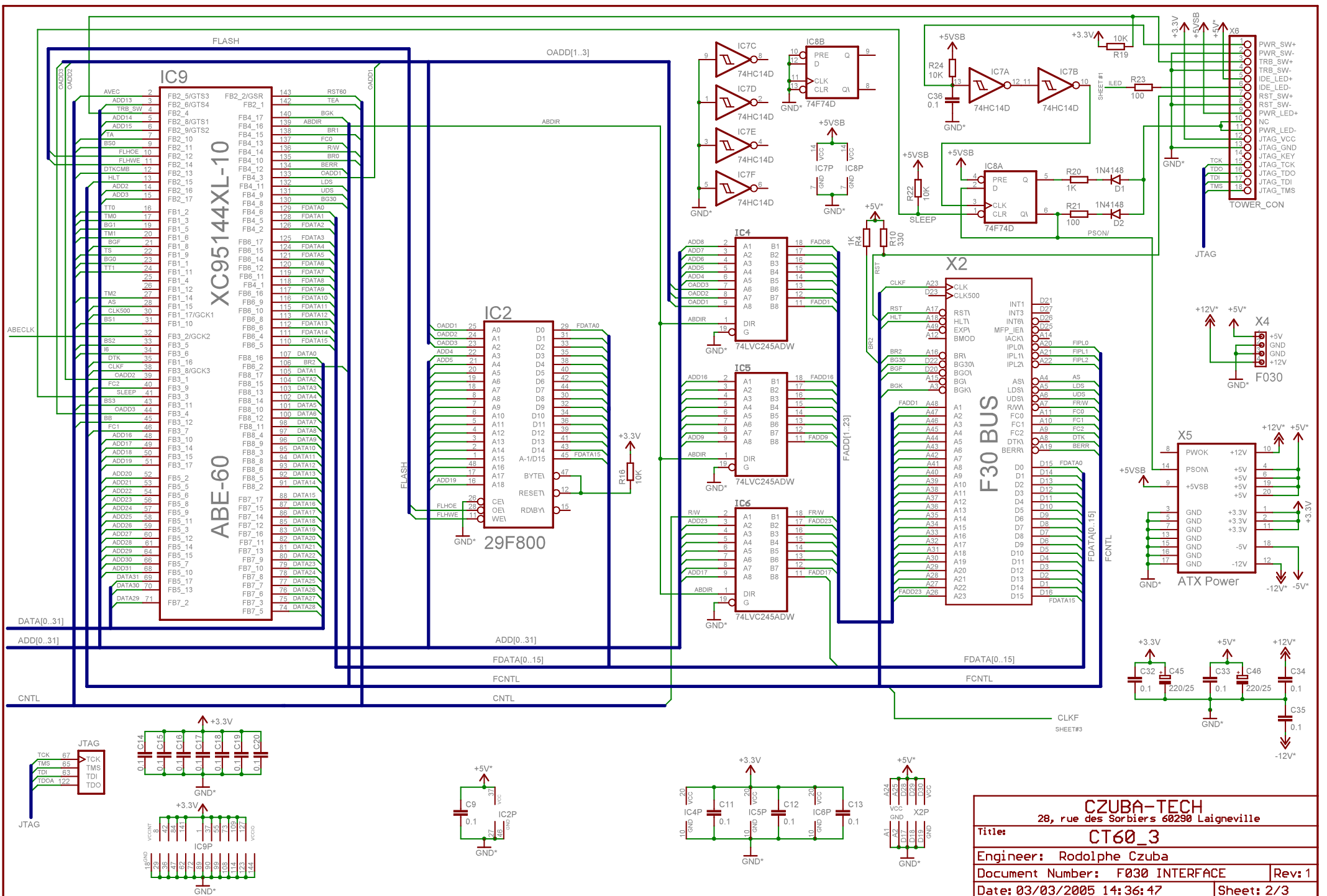
Engineer: Rodolphe Czuba

Document Number: 060/SDRAM/SLOT

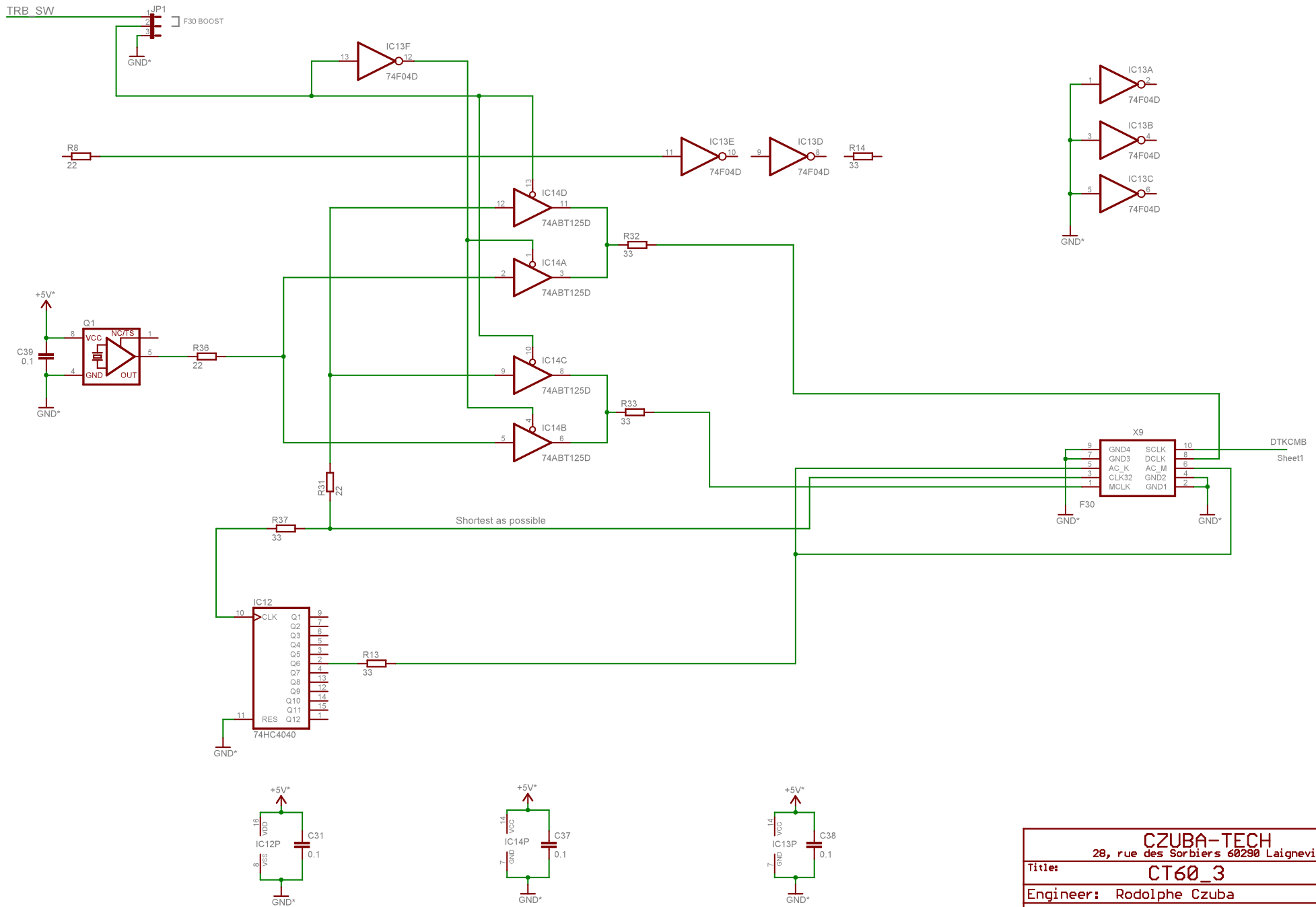
Date: 03/03/2005 14:36:47

Rev: 1

Sheet: 1/3



CZUBA-TECH 28, rue des Sorbiers 60290 Laigneville	
Title: CT60_3	
Engineer: Rodolphe Czuba	
Document Number: F030 INTERFACE	Rev: 1
Date: 03/03/2005 14:36:47	Sheet: 2/3



CZUBA-TECH	
28, rue des Sorbiers 60290 Laigneville	
Title:	CT60_3
Engineer:	Rodolphe Czuba
Document Number:	F030 BOOSTER
Date:	03/03/2005 14:36:47
Rev:	Sheet: 3/3